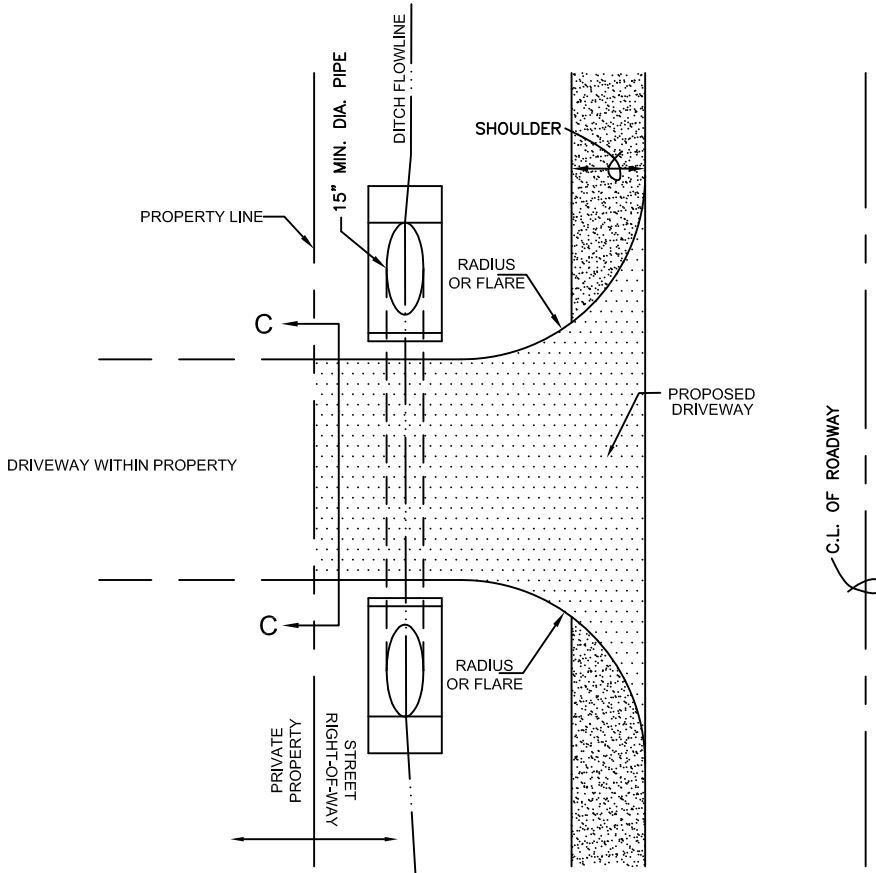


# TYPICAL RURAL DRIVEWAY WITH CULVERT

N.T.S.

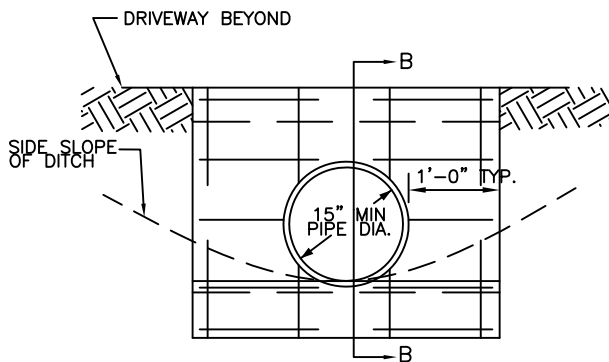


**NOTES:**

1. SEE SPECIFICATION FOR ACCEPTABLE MATERIALS AND OTHER INFORMATION.
2. ALL CONCRETE (DRIVEWAY SURFACE OR RIP RAP) SHALL HAVE A MINIMUM COMPRESSIVE STRENGTH OF 3000 P.S.I AT 28 DAYS.
3. BROOM FINISH ONLY FOR CONCRETE
4. IF PIPE LOCATION IS 12' OR GREATER FROM TRAVEL LANE, 4:1 SLOPE IS ALLOWED. 6:1 MAX OTHERWISE.

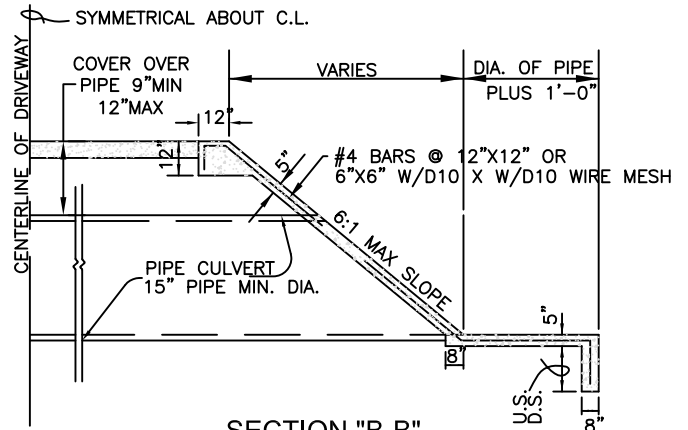
## DRIVEWAY INTERSECTION WITH CULVERT - PLAN

N.T.S.



**END VIEW**

N.T.S.

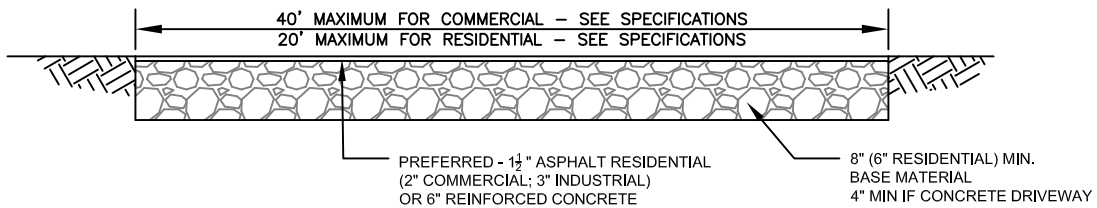


**SECTION "B-B"**

N.T.S.

## RIP RAP HEADWALL @ DRAINAGE PIPE

N.T.S.



**SECTION C-C**

N.T.S.

U.S.= UPSTREAM  
D.S.= DOWNSTREAM